

UNIFORM STATUTORY DECLARATION FORM FOR THE REGISTRATION OF FITTING DESIGNS

New Brunswick
Nunavut

Nova Scotia
Yukon

Prince Edward Island
Northwest Territories


Newfoundland and Labrador

Manufacturers Name: Swagelok Company	
Manufacturers Address: 29500 Solon Road, Solon, Ohio 44139 USA	
Plant Locations: Headquarters: 29500 Solon Road, Solon, Ohio 44139 USA (See Attachment A)	
<p align="center">Category of Fittings to be registered. Circle one Category only</p> <p>A Pipe fittings, including couplings, tees, elbows, Ys, plugs, unions, pipe caps, or reducers B Flanges: all flanges C Valves: all line valves D Expansion joints, flexible connections, and hose assemblies: all types E Strainers, filters, separators, and steam traps F Measuring devices, including pressure gauges, level gauges, sight glasses, levels, or pressure transmitters G Certified capacity-rated pressure relief devices acceptable as primary over pressure protection on boilers, pressure vessels, piping and fusible plugs H Pressure retaining components that do not fall into one of the above categories N Nuclear components: Class 1 <input type="checkbox"/> Class 2 <input type="checkbox"/> Class 3 <input type="checkbox"/> , (Meeting CNSC or ASME requirements)</p>	<p align="center">Title of the Standard of Construction</p> <p>ASME B31.1 for unlisted components ASME B31.3 for unlisted components</p>
<p>Show Manufacturers Name, Trademark, or Logo as it will appear on the product</p> <p align="center" style="font-size: 2em; font-family: cursive;">Swagelok</p>	<p align="center">Type of Construction</p> <p>Forged <input type="checkbox"/> Welded <input type="checkbox"/> Wrought <input type="checkbox"/> Cast <input type="checkbox"/> Other <input type="checkbox"/> Describe other:</p>
<p>List of supporting documentation and identification of the actual items to be registered:</p> <p>ISO 9001:2015 Certificate, Attachment A, Attachment B, Catalog Information and other Support Documents.</p>	

Declaration:

I, Joel Feldman, Vice President, Engineering (see note 3) employed by Swagelok Company and being the person having full authority and responsibility for the quality of the end product do solemnly declare that the information contained in this form is true to the best of my knowledge represents the product for which registration is sought. The dimensions, materials of construction, pressure temperature ratings, and identification markings are in accordance with the herein named standards. I further declare that the manufacture of these fittings is regulated by a Quality Control Program which extends to each plant where fabrication occurs in whole or in part and has been verified by BSI as being suitable for that purpose and I make this solemn declaration conscientiously believing it to be true, and knowing that it is of the same force and effect as if made under oath.

Signature of Declarer: [Signature]
 Declared before me at SOLON, STATE OF OHIO
 This 13 day of MARCH AD 2023
 Commissioner of Oaths
 Or Notary Public: (sign) [Signature]
 (Affix Official seal to the right)



JEFFREY C. TRUMBULL
 Notary Public
 State of Ohio
 Commission Expires
 April 15, 2025

DEPT OF JUSTICE PUBLIC SAFETY
 BOILER & PRESSURE VESSEL ACT

REGISTRATION ONLY

CRN 0A25065.57

[Signature]
 CHIEF BOILER INSPECTOR

DATE 5/31/24

BLRs PVs Sect 1.0 - Fittings Rev.2
 FITTINGS NUCLEAR COMPONENTS

This space for Regulatory Authority use.

This registration must be revalidated after ten (10) years from the date of registration.

CRN: 0A25065.5

FID#: 1214

Notes:

- All Fittings shall be registered in the name of the Manufacturer.
- Each Category shall be supported with two Statutory Declaration forms and one copy of supporting documentation.
- The Declaration shall be made by the person having full authority and responsibility for the quality of the end product.
- Quality Control programs shall be resubmitted for validation.

Scope: Sample body connection (SB). 15 plant locations. (DGallant)

11/2016

Attachment B: Scope of CRN Registration for Swagelok Sampling Body (SB) (Category A)

This document represents the scope of Sampling Body (SB) fittings covered by this submission for CRN approval. This Sampling Body (SB) product is present in the Grab Sampling Valve (GSV) product line. These fittings were designed and evaluated in accordance with ASME B31.1-2020 for unlisted components and ASME B31.3-2020 for unlisted components.

Summary Table

Product Series	Main Pressure Bearing Component	Main Pressure Bearing Material	Port Connections and Sizes	Maximum Rated Pressure (psig)		Design Code of Construction
				@ 100°F	@ Max Temp.	
GSV (SB)	Sample Body (SB)	S31600 / ASTM A479	Tube Adapter 1/4", 6mm Female NPT 1/4" Male NPT 1/4"	3000	1680 @ 1000°F	ASME B31.1 (Unlisted Components) and ASME B31.3 (Unlisted Components)

Note: The low temperature rating (MDMT) of this product is -65°F. This value is above the Minimum Temperature listed in Table A-1 for this material (-325°F).

Product Illustration

Figure 1 – Grab Sampling Valve

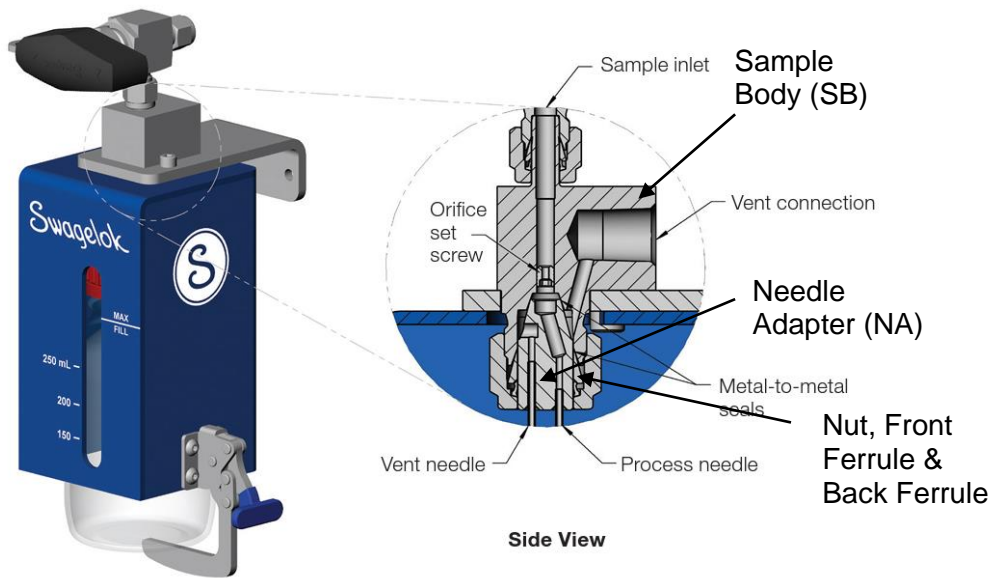
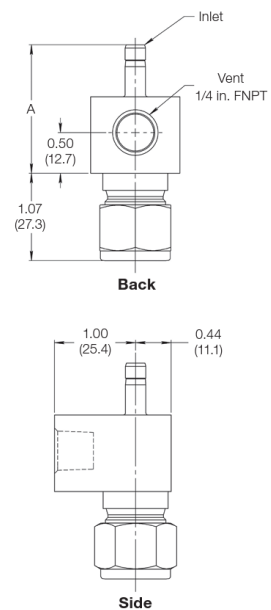


Figure 2 – Sample Body (SB)



Typical Product Characteristics

No end connections offered for use with the Grab Sampling Body (SB) product have a pressure rating less than the fitting itself.



All of the above end connection options are within the scope of this approval.

Quality System

The Swagelok Company quality system complies with the requirements of ISO 9001:2015. The Swagelok Company maintains British Standards Institution Certificate of Registration Number FM 01729, which applies to all locations listed on the Certificate.

References

The below product catalog does not represent the full scope of registration, but rather details some of the most common applications

- Grab Sampling Station Application Guide, A Swagelok Application Solution MS-02-479

Attachment A. Swagelok Manufacturing Locations

This document lists the Swagelok locations where end item or component level manufacturing activities take place.

Swagelok Company 29500 Solon Road Solon, Ohio 44139 USA	Swagelok Company (HPF) 6050 Cochran Road Solon, Ohio 44139 USA
Swagelok Company (OFC) 29495 F.A. Lennon Drive Solon, Ohio 44139 USA	Swagelok Company (Snow Metal) 6060 Cochran Road Solon, Ohio 44139 USA
Swagelok Precision Machining Services 1924 East 337th Street Eastlake, OH 44095 USA	Swagelok (China) Fluid System Technologies Ltd. Changshu Export Process Zone Changshu Economic Development Zone Changshu, Jiangshu 215513 China
Swagelok Company (Highland) 318 Bishop Road Highland Heights, Ohio 44143 USA	Swagelok Company (Strongsville) 15400 Foltz Road Strongsville, Ohio 44119
Swagelok Company (Atlantic) 26651 Curtiss Wright Parkway Willoughby Hills, Ohio 44092 USA	Swagelok Company (Alfred) 29500 Ambina Drive Solon, Ohio 44139
Swagelok Company (Micro) 26653 Curtiss Wright Parkway Willoughby Hills, Ohio 44092 USA	Swagelok Hose Services Company (SHSC) 29900 Solon Industrial Parkway Solon, Ohio 44139
Swagelok Company (Falon 1) 348 Bishop Road Highland Heights, Ohio 44143 USA	Swagelok Limited Ballafletcher Road Tromode IM4 4RA Isle of Man
Swagelok Company (Falon 2) 358 Bishop Road Highland Heights, Ohio 44143 USA	